

Features

- Drop in Wi-Fi solution for existing systems currently using 802.15.4 modules
- Based on Roving Networks' robust RN-171 Wi-Fi module
- Based on pseudo-standard footprint
- Onboard TCP/IP stack provides internet access to every node
- No custom profiles needed
- Ultra-low power: 4uA sleep, 40mA Rx, 180 mA Tx at 10dBm
- Configurable transmit power: 0dBm to +12dBm
- Hardware interface: TTL UART
- Data rate: 464Kbps using hardware flow control
- Through hole board simplifies system integration
- 8 general purpose digital I/O
- 3 analog sensor interfaces.
- Real-time clock for wakeup and time stamping
- Complete TCP/IP networking stack
- Wi-Fi Alliance certified for WEP, WPA and WPA2-PSK
- WPS push button for easy configuration
- FCC / CE/ ICS certified and RoHS compliant.

Applications

- Industrial metering
- HVAC control
- Room temperature sensors
- Pump configuration and control
- Telemetry
- PV/Solar controllers
- Robotics



Description

The RN-XV is a 802.11 b/g solution especially designed for customer who want to migrate their existing 802.15.4 architecture to a more standard TCP/IP based platform without having to redesign their existing hardware.

Based on a pseudo standard footprint often found in embedded applications, the RN-XV module from Roving Networks allows for Wi-Fi connectivity using 802.11 b/g standards in legacy and existing designs that may have been based upon 802.15.4 standard.

The RN-XV module is based upon Roving Networks' robust RN-171 Wi-Fi module and incorporates 802.11 b/g radio, 32 bit SPARC processor, TCP/TP stack, real-time clock, crypto accelerator, power management unit and analog sensor interface.

The module offers additional functionality through its onboard programmable GPIOs (10) and ADCs (8). The ADCs provide 14-bit resolution while the GPIOs can be configured to provide standard functionality or status signaling to a host microcontroller to reduce the need for serial polling between the Wi-Fi module and host microcontroller.

The module is pre-loaded with firmware to simplify integration and minimize development time of your application. In the simplest configuration, the hardware only requires four connections (PWR, TX, RX and GND) to create a wireless data connection.

Overview

- Host Data Rate up to 460Kbps over UART
- Intelligent built-in power management with programmable wakeup events (timers and I/O)
- Real time clock for time stamping, auto-sleep and auto-wakeup modes
- Configuration over WiFi or UART using simple ASCII commands
- Over the air firmware upgrade via FTP
- Secure WiFi authentication: WEP, WPA-PSK (TKIP), WPA2-PSK
- Built in networking applications DHCP, DNS, ARP, ICMP UDP, Telnet, FTP, HTML client
- 802.11 b/g power save and roaming functions
- Configurable transmit power: -2dBm to 12dBm
- WPS push button mode for easy and secure wireless setup
- Built-in HTML web client to send GPIO, UART and sensor data to remote web servers

Environmental Conditions

Parameter	Value
Temperature Range (Operating)	-40 °C - 85 °C
Temperature Range (Storage)	-40 °C - 85 °C
Relative Humidity (Operating)	≤90%
Relative Humidity (Storage)	≤90%

Electrical Characteristics

Supply Voltage	Min	Typ.	Max.	Unit
Input Power	3.0	3.3	3.7	V
Power consumption				
Sleep		4		uA
Standby (doze)		15		mA
Connected (idle, RX)		40		mA
Connected (TX)		180 at 10dBm		mA

Analog Sensor Inputs

Parameter	Value
Sense 0,1,2,3 wakeup detect threshold	500mV
AD sense 0-4 measurement range	0-400mV
Precision	14 bits = 12uV
Accuracy	5% un-calibrated, .01% calibrated
Minimum conversion time	35uS (5kHz over Wi-Fi)
Sensor Power (pin 33) output resistance 3.3V	10 ohms, max current = 50mA

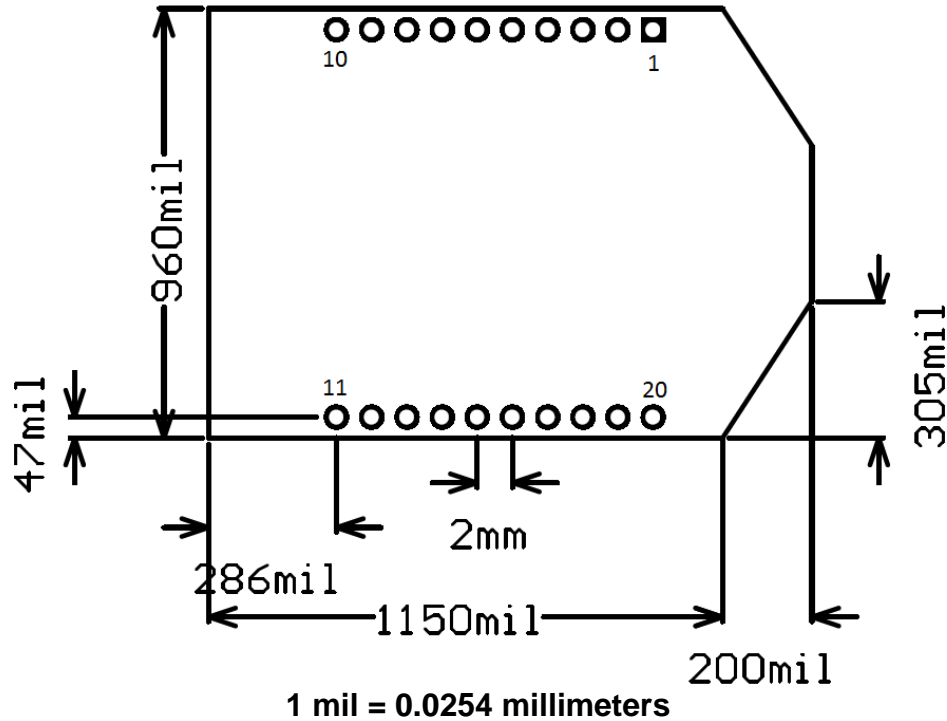
Radio Characteristics

Parameter	Specifications
Frequency	2402 ~ 2480MHz
Modulation	802.11b compatibility : DSSS(CCK-11, CCK-5.5, DQPSK-2, DBPSK-1) 802.11g : OFDM (default)
Channel intervals	5MHz
Channels	1 - 14
Transmission rate (over the air)	1 – 11Mbps for 802.11b / 6 – 54Mbps for 802.11g
Receive sensitivity	-83dBm typ.
Output level (Class1)	0dBm to +12dBm (software configurable)

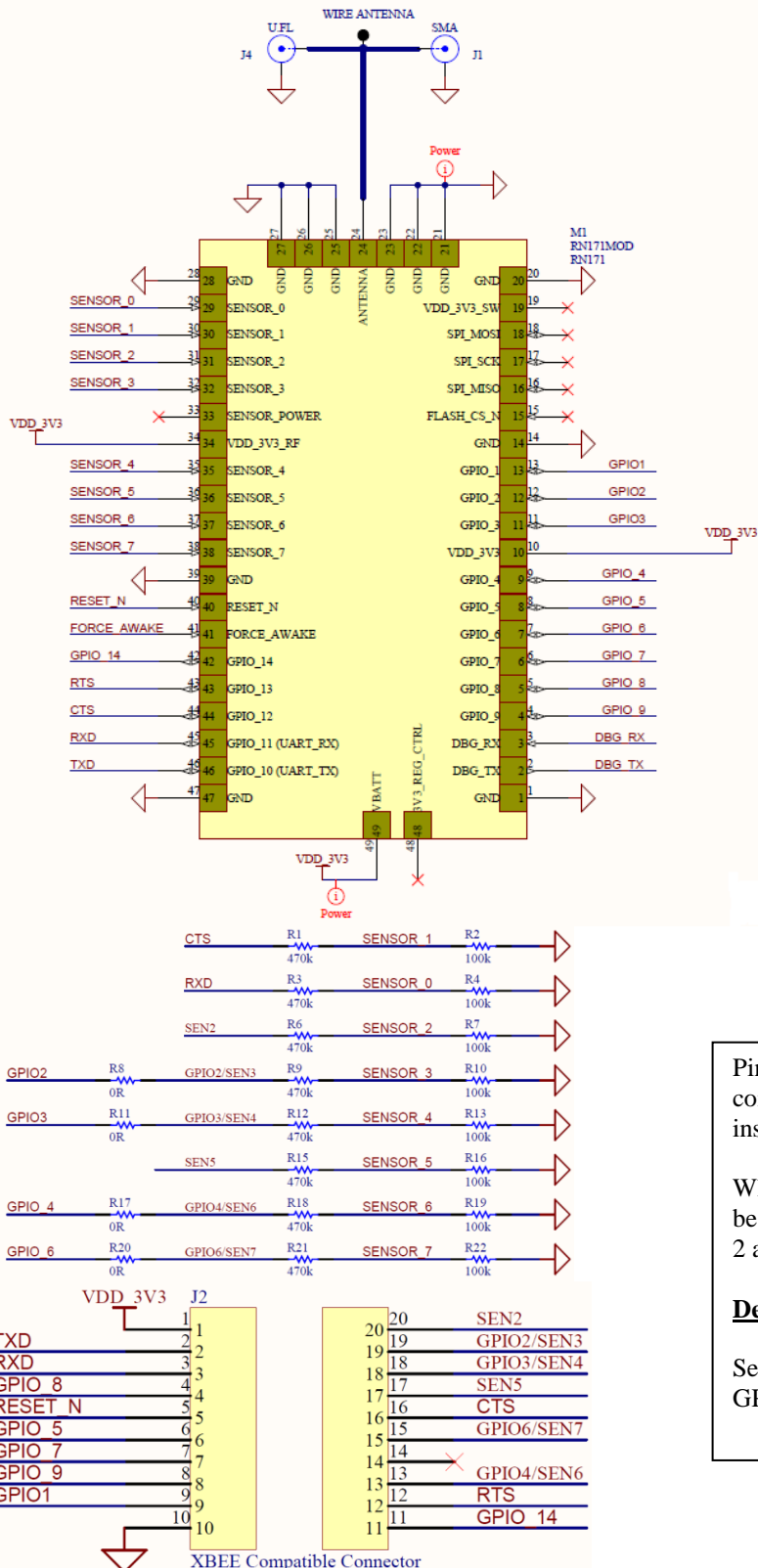
Transmit Power

Output Power	802.11 b (2Mbps) Current in mA*	802.11 g (24Mbps) Current in mA*
0	120	135
2	130	150
4	170	190
6	175	200
8	180	210
10	185	225
12	190	240

* Measured at 3.3VDC input. The power consumption is the average power, active during actual power consumption

Physical Dimensions and pin out table


Pad Number	Signal Name	Description	Optional Function	Direction
1	VDD_3V3	3.3V regulated power input to the module		POWER
2	UART_TX	UART TX, 8mA drive, 3.3V tolerant		OUT →
3	UART_RX	UART RX, 3.3V tolerant		IN ←
4	GPIO 8	GPIO, 24mA drive, 3.3V tolerant		IN / OUT
5	RESET	Optional Module Reset Signal (active low), 100k Pull up, apply pulse of at least 160us, 3.3V Tolerant		INPUT
6	GPIO 5	GPIO, 24mA drive, 3.3V tolerant	Data TX/RX	OUT
7	GPIO 7	GPIO, 24mA drive, 3.3V tolerant		IN / OUT
8	GPIO 9	Enable Adhoc mode, Restore factory defaults, 8mA drive, 3.3V tolerant		IN / OUT
9	GPIO 1	GPIO, 8mA drive, 3.3V tolerant		IN / OUT
10	GND	Ground		GND
11	GPIO 14	GPIO, 8mA drive, 3.3V tolerant		IN / OUT
12	UART_RTS	UART RTS flow control, 8mA drive, 3.3V tolerant		OUT →
13	GPIO 4/SEN 6	GPIO, 24mA drive, 3.3V tolerant/ADC input , (3.3V tolerant) . Defaults to GPIO 4	Association Status	IN / OUT
14	Not Used			No Connect
15	GPIO 6/SEN 7	GPIO, 24mA drive, 3.3V tolerant/ADC input , (3.3V tolerant) . Defaults to GPIO 6	Connection Status	POWER
16	UART_CTS	UART CTS flow control, 3.3V tolerant		IN ←
17	SENSOR 5	Sensor Interface, Analog input to module, (3.3V tolerant)		INPUT
18	GPIO 3/SEN 4	GPIO, 8mA drive, 3.3V tolerant/ADC input (3.3V tolerant) . Defaults to GPIO 3		IN / OUT
19	GPIO 2/SEN 3	GPIO, 8mA drive, 3.3V tolerant/ADC input (3.3V tolerant) . Defaults to SEN 3		IN / OUT
20	SEN 2	Sensor Interface, Analog input to module, 3.3V tolerant		INPUT

Module Schematic


Pins 13, 15, 18 and 19 on the RN-XV connector can be configured as GPIOs or as sensor inputs depending on the installed resistors.

When configured as GPIOs, ONLY Column 1 resistors MUST be installed. When configured as sensor inputs, ONLY Column 2 and Column 3 resistors MUST be stuffed.

Default configuration:

Sensor inputs – Pins 19 and 20
 GPIO – Pins 13, 15 and 18

Design Concerns

1. **Powering the RN-XV module:** Apply ONLY 3.3V±10% regulated power to pin 1 (VDD) and pin 10 (Ground). The module does not have any voltage regulator on board and hence MUST be powered from a regulated 3.3V power supply.
2. **Antenna:** The RN-XV ships with a wire antenna. Custom antenna configurations such as chip, U.FL. and SMA connector are available with extended lead times

Ordering Information

Part Number	Description
RN-XV-W	Standard configuration, industrial Temperature (- 40 to + 85 C) 802.15.4 replacement solution with ¼ inch wire antenna
RN-XV-U	Custom configuration, industrial Temperature (- 40 to + 85 C) 802.15.4 replacement solution with U.FL. connector
RN-XV-S	Custom configuration, industrial Temperature (- 40 to + 85 C) 802.15.4 replacement solution with SMA connector
RN-XV-C	Custom configuration, industrial Temperature (- 40 to + 85 C) 802.15.4 replacement solution with chip antenna

Copyright © 2011 Roving Networks. All rights reserved.

Roving Networks reserves the right to make corrections, modifications, and other changes to its products, documentation and services at any time. Customers should obtain the latest relevant information before placing orders and should verify that such information is current and complete.

Roving Networks assumes no liability for applications assistance or customer product design. Customers are responsible for their products and applications using Roving Networks components. To minimize the risks associated with customer products and applications, customers should provide adequate design and operating safeguards.

Roving Networks products are not authorized for use in safety-critical applications (such as life support) where a failure of the Roving Networks product would reasonably be expected to cause severe personal injury or death, unless officers of the parties have executed an agreement specifically governing such use.

All other trademarks are property of their respective owners.